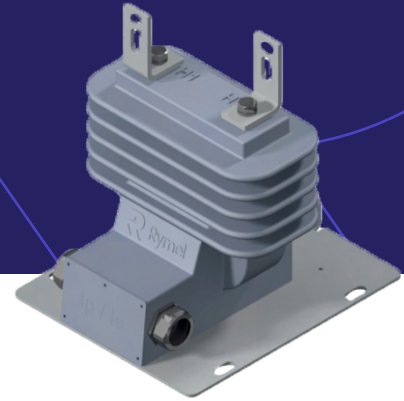


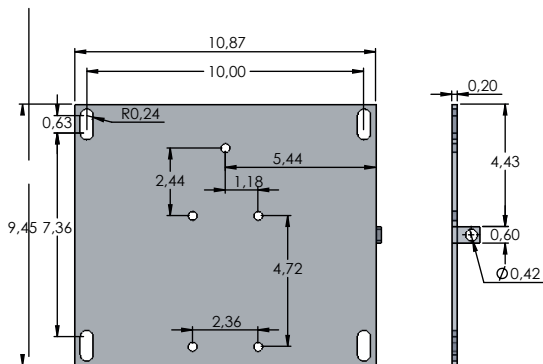
15 kV CURRENT TRANSFORMERS



Rymel's current transformers are produced in a voltage range of 0.6 kV to 36 kV. The technical specifications of the current transformers in the 15 kV series are detailed in this catalog. The equipment is produced in compliance with the IEEE C 57.13 standard.

Base Plate:

For simple installation, the transformer includes a stainless steel base plate with four openings. A ground connection is welded at a 90° angle to the base plate. The thickness of the foundation plate is 0.2 inches.



Construction:

Instrument transformers produced by Rymel adhere to the most stringent quality standards and comply with IEEE standards. These transformers are produced using cycloaliphatic epoxy resin, which exhibits exceptional resistance to environmental exposure and weathering.

Markings:

- The equipment includes a nameplate made of Anodized Aluminum, securely attached to the base plate.
- Both primary and secondary markings are engraved with low relief using a laser marker.
- Additionally, stickers displaying the connection relations are affixed to the terminal cover of the secondary connection, also located on one side.

Primary Terminals:

Primary terminals, which have a thickness of 0.25 mm, are produced using hot-tinned copper.

Secondary Terminals:

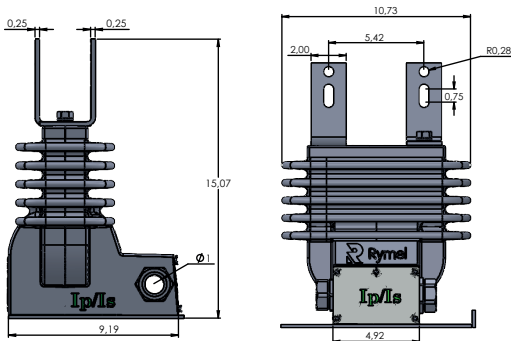
- The secondary terminals are made of stainless steel, 0.25".
- The screws of the secondary terminal block cover are butterfly-type terminals.
- It includes a short-circuit device for the secondary, made of tinned copper, with a thickness of 0.125".
- Designed to short-circuit the equipment between X1 and X2 (when necessary) and also between X2 and Ground..

Installation:

The transformers have been engineered for outdoor installation, allowing for both vertical and horizontal orientations.

Testing:

The equipments are 100% verified in accordance with the IEEE C57.13



Transformation Relations:

CURRENT RATIO (A)	RATING FACTOR [30°C]
2.5/5	3.0
5/5	3.0
10/5	3.0
15/5	3.0
20/5	3.0
25/5	3.0
30/5	3.0
40/5	3.0
50/5	3.0
60/5	3.0
75/5	3.0
100/5	3.0
150/5	3.0
200/5	3.0
300/5	3.0
400/5	3.0
500/5	3.0
600/5	3.0
800/5	1.5
1000/5	1.5

OUTDOOR MEASUREMENT TYPE CURRENT TRANSFORMERS		
Type		Outdoor
Model		TCEM
Resin		Cycloaliphatic Epoxy for Outdoor Use
Maximum Insulation Level	kV	15.5
Applied Voltage	kV	34
BILL, Full Wave	kV	110
Creepage Distance	in	27.5"
Weight	Lbs	32
Frequency	Hz	50-60
Insulation Class		F
Winding Material		Copper
Metering Class		0.15, 0.3, 0.6, 1.2
Nominal Burden	VA	B-0.1, B-0.2, B-0.5, B 0.9, B-1.8
Short-time thermal current	kA	2,4,8,16,32
Nominal dynamic current	kA	2.5 lth