



Split-core current transformers for measurement are designed to reduce low-voltage network current levels to low, non-hazardous, and proportional levels that can be easily handled by measurement equipment. They are characterized by their split magnetic core, which allows them to open and close around the conductor without the need to interrupt the electrical circuit.

These low-voltage split-core current transformers are manufactured in accordance with IEEE C 57.6 technical standards, offering an efficient way to safely monitor the electric current in the network.

Business Line under a representation model

Manufacturer: Echun Electronic Co., Ltd.

Country of manufacture: China

Product Compliance Certificate: PROD-SM00832-1

Advantages

- Installation without service interruption, reducing downtime and associated costs.
- Easy installation as they can be easily opened and closed around the conductor.
- Their design allows adaptation to different conductor sizes.

Model 1

For ratios from 300/5 A to 600/5 A.

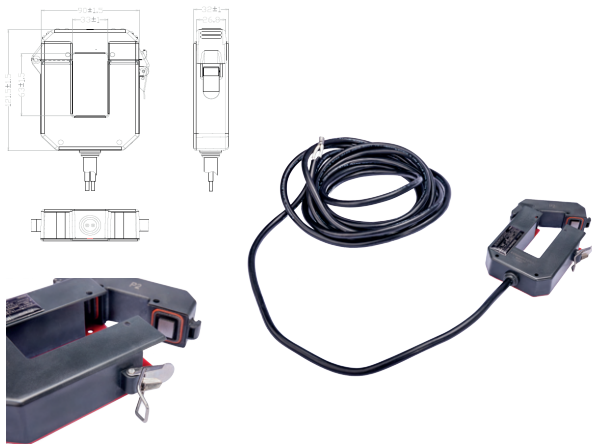
Model 2

For ratios from 600/5 A to 2000/5 A.

FEATURES

TYPE		Measurement	
MODEL		TCNPE 1	TCNPE 2
INSTALLATION		Exterior	
INSULATION MATERIAL		Polyester resin	
ENCLOSURE MATERIAL		Polycarbonate housing with UV resistance	
MAXIMUM VOLTAGE	V	660	
SERVICE VOLTAGE	V	208-120	480-227
FREQUENCY	Hz	60	
INSULATION LEVEL	kV	1 minute 4kV	
WINDING MATERIAL		Copper	
TRANSFORMATION RATIO	A	From 300/5A to 500/5A	From 600/5A to 2000/5A
CLASS	%	0.3-0.6-1.2	
POWER BURDEN	VA	B-0.1, B-0.2	
THERMAL CURRENT (ITH)	A	80 In	
DYNAMIC CURRENT (ID)	A	2.7Ith	
APPROXIMATE TOTAL DIMENSIONS			
WIDTH	mm	121,5	168
DEPTH	mm	90	150
HEIGHT	mm	27	30
TOTAL WEIGHT	kg	≤1	≤2
MANUFACTURING AND TESTING STANDARD		IEEE C57.6	

MODEL 1



MODEL 2

